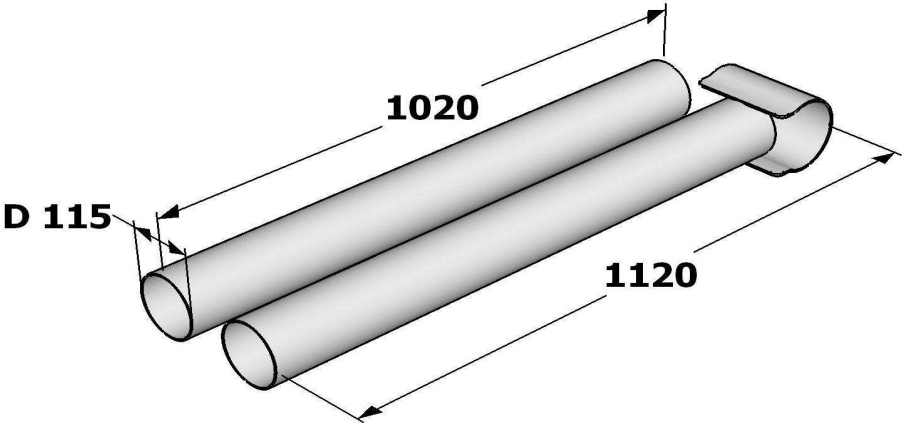
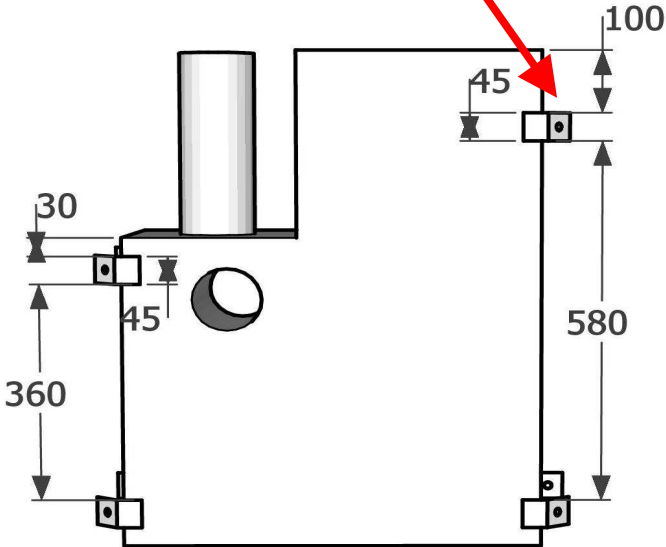
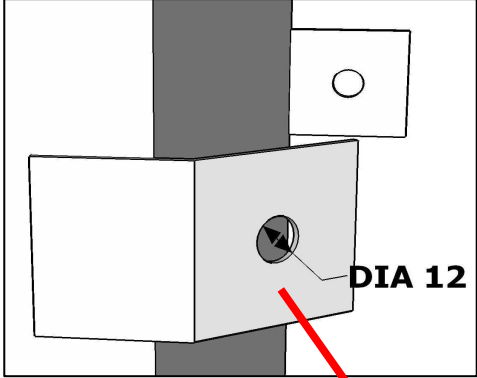
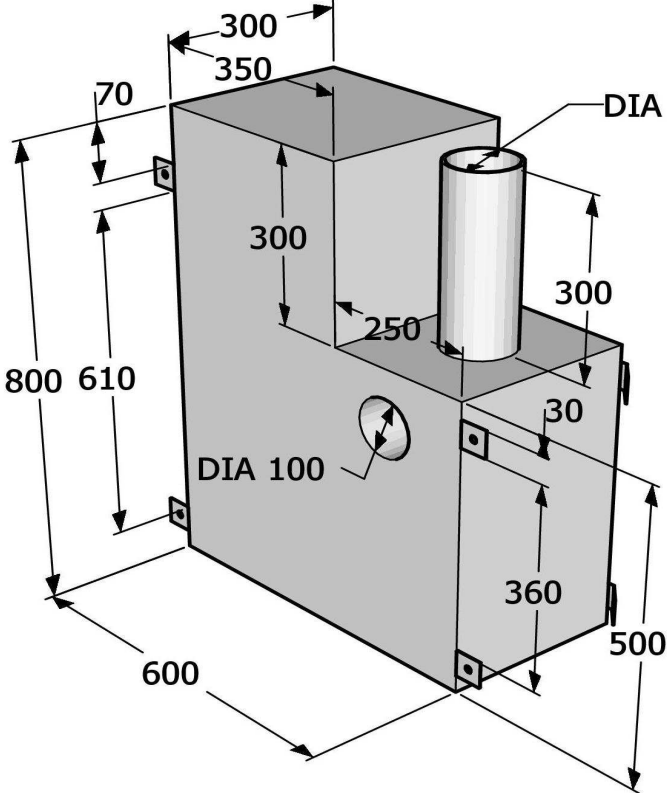



INTERNAL OVEN L

N = 25 kW



 **kg** 19,5 kg.